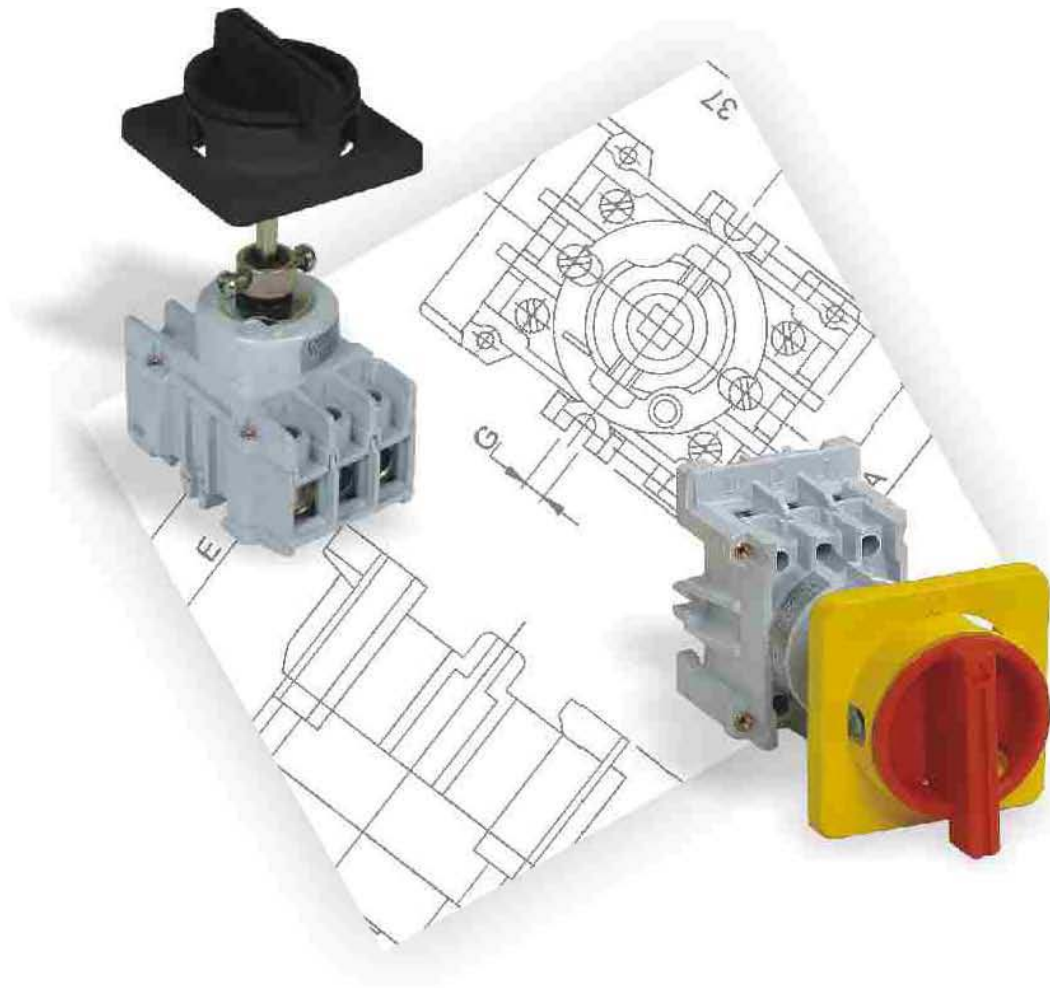


Disconnect Switches

UL508 Listed



**C&S Controls and
Switchgear Company Ltd.**

UL&CSA Approved

Ordering Information

Select a Switch



Ampere Rating		16A	25A	30A	40A	60A	80A	100A	125A
Catalogue Reference	3P	CSSD16D1	CSSD25D1	CSSD30D1	CSSD40D1	CSSD60K3	CSSD80D1	CSSD100D1	CSSD125D1
	4P	CSSD16D4	CSSD25D4	CSSD30D4	CSSD40D4	NA	NA	NA	NA

NA - Not Available at present

Select Handle & Shaft

Rotary Handle



NEMA TYPE	IEC TYPE	DEFEATABLE	PADLOCKABLE	COLOUR (16A~125A)	OPERATION	CATALOG NO.
1, 3R, 12, 4, 4X	IP65	NO	YES	BLACK	I/O	CSSDZX104
1, 3R, 12, 4, 4X	IP65	NO	YES	RED/YELLOW	I/O	CSSDZX106

5 x 5mm Shaft - for use with Rotary Handles only



SHAFT LENGTH (Inches / mm)	CATALOG NO. (16A~125A)
2.75 / 70	Sq. 5 x 70
4.72 / 120	Sq. 5 x 120
7.9 / 200	Sq. 5 x 200
12.0 / 305	Sq. 5 x 305

Pistol Handle



NEMA TYPE	IEC TYPE	DEFEATABLE	PADLOCKABLE	COLOUR (16A~125A)	OPERATION	CATALOG NO.
1, 3R, 12, 4, 4X	IP65	NO	YES	BLACK	I/O	CSDB20
1, 3R, 12, 4, 4X	IP65	NO	YES	RED/YELLOW	I/O	CSDB21

6 - 5mm Shaft - for use with Pistol Handles only



SHAFT LENGTH (Inches / mm)	CATALOG NO. (16A~125A)
4.72 / 120	Sq. 6-5 x 120
7.9 / 200	Sq. 6-5 x 200
12.0 / 320	Sq. 6-5 x 320

Other Accessories (Optional)

Door Mounting Kits

FOR SWITCHES

CSSD16D1 ~ CSSD125D1	DMK 1/1A
CSSD16D4 ~ CSSD40D4	DMK 1/3

CATALOG NO.



Auxiliary Switches*

FOR SWITCHES

CATALOGUE NO.	CONFIGURATION
CSSDZX101	1NO
CSSDZX102	1NC
CSSDZX105	1NO + 1NC
CSSDZY101	1NO
CSSDZY102	1NC
CSSDZY105	1NO + 1NC

* Auxiliary Block + Mounting Bracket

Auxiliary Blocks**

CATALOGUE NO.	CONFIGURATION
RB2-BE101	1 NO
RB2-BE102	1 NC



** Maximum assembly of 3 Auxiliary Blocks possible on either side

Motor Disconnect Switches



Salient Features

- Compact design
- Motor Starting - upto 60 HP / 600V
- General use rating 16A to 125A / 600V
- Comprehensive range of accessories includes Door Mounting Kits / Snap-on Auxiliary Contacts
- Choice of external handles / shafts

Conformity to Standards

- UL508 as Motor Controller (UL File E233199)
- CSA
- IEC 60947 - 3 as Switch Disconnecter
- CE mark

Technical Characteristics

UL Technical Characteristics

Catalogue Reference	3P	CSSD16D1	CSSD25D1	CSSD30D1	CSSD40D1	CSSD60K3	CSSD80D1	CSSD100D1	CSSD125D1
	4P	CSSD16D4	CSSD25D4	CSSD30D4	CSSD40D4	NA	NA	NA	NA
Rating (3/4 Poles)	A	16	25	30	40	60	80	100	125
UL Approval		UL 508	UL 508	UL 508	UL 508	UL 508	UL 508	UL 508	UL 508
Max. Operational Voltage	V	600	600	600	600	600	600	600	600
Short Circuits Rating	KA	10	10	10	10	10	10	10	10
Branch Circuit Fuse Type		KTS-R	KTS-R	KTS-R	KTS-R	KTS-R	KTS-R	KTS-R	KTS-R
Max. Fuse Rating	A	80	80	80	80	150	150	150	150
Max. H.P. Rating									
Three Phase a) 240V	HP	5	5	7.5	10	15	20	25	25
b) 480V	HP	7.5	10	15	20	30	40	50	50
c) 600V	HP	10	15	25	30	40	50	60	60
Single Phase a) 120V	HP	1	1.5	2	2	3	5	5	5
b) 240V	HP	2	3	5	5	10	15	15	15
Wire Range (Stranded)	AWG	# 14-# 12	# 10	# 10	# 8	# 6	# 6-# 4	# 4	# 3-# 1
Wire Type (Stranded)		Cu	Cu	Cu	Cu	Cu	Cu	Cu	Cu
Weight 3 pole	lb.	0.44	0.44	0.44	0.44	0.66	0.66	0.66	0.66

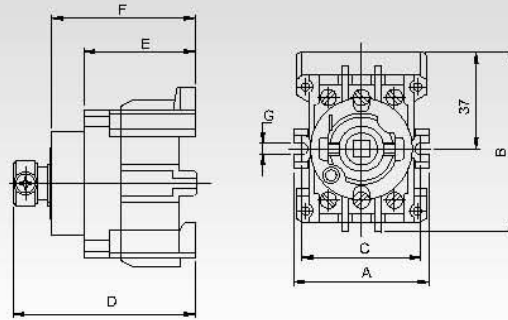


IEC Technical Characteristics

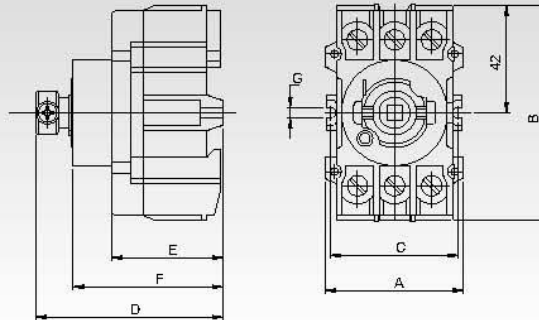
Catalogue Reference	3P	CSSD16D1	CSSD25D1	CSSD30D1	CSSD40D1	CSSD60K3	CSSD80D1	CSSD100D1	CSSD125D1
	4P	CSSD16D4	CSSD25D4	CSSD30D4	CSSD40D4	NA	NA	NA	NA
Rating (3/4 Poles)	A	16	25	30	40	60	80	100	125
Thermal Current (40°C)	A	16	25	30	40	60	80	100	125
Rated Insulation Voltage (Ui)	V	690	690	690	690	690	690	690	690
Rated Imp. Withstand Voltage (Uimp)	KA	8	8	8	8	8	8	8	8
Operational Current	A								
400V AC AC22A		16	25	30	40	63	80	80	80
AC23A		16	25	25	25	63	63	63	63
500V AC AC22A		16	25	30	40	63	80	80	80
AC23A		16	20	25	25	45	45	45	45
690V AC AC22A		16	25	30	40	63	80	80	80
AC 23A		16	20	25	25	40	40	40	40
Motor Power	KW								
400V AC AC23		5.5	7.5	11	11	25	25	25	25
500V AC AC23		7.5	9	15	15	25	25	25	25
690V AC AC23		9	11	15	15	25	25	25	25
Short Circuit Current with fuses	kArms	50	50	50	50	50	50	50	50
Max. rating for associated fuses	A	16	25	30	40	63	80	80	80
Cut off current	kAp	4.5	4.5	5	5	8	8	8	8
Short Time withstand									
Current for 1 sec.	kA	0.9	0.9	1	1	1.5	1.5	1.5	1.5
Mechanical Endurance	Nos.	20000	20000	20000	20000	20000	20000	20000	20000
Connection CU	Sq.mm	1.5 to 6	1.5 to 6	1.5 to 6	1.5 to 6	1.5 to 35	1.5 to 35	1.5 to 35	1.5 to 35

Dimensions Details CSSD 16 ~ 125D1

CSSD 16A ~ 40A



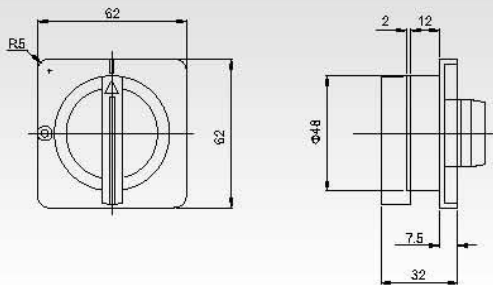
CSSD 60A ~ 125A



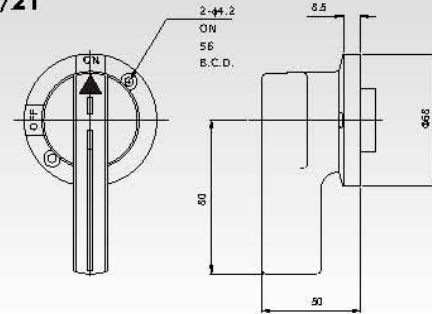
Rating	A		B		C		D		E		F		G	
	mm	In.	mm	In.	mm	In.	mm	In.	mm	In.	mm	In.	mm	In.
CSSD 16A-40A	51	2.01	68	2.68	45	1.77	69	2.72	42	1.65	55	2.16	4.2	0.17
CSSD 60A-125A	52.5	2.07	83.7	3.30	50	1.97	73	2.87	43	1.69	58	2.28	4.2	0.17

Handle Dimensions Details

CSSDZX104/106



CSDB20/21



Rating	Min. Mounting Depth			
	Square Bezel Type		Pistol Type	
	mm	In.	mm	In.
CSSD 16~40A	90	3.54	132	5.20
CSSD 60~125A	90	3.54	136	5.35

Alpha Magnetics & Coils, Inc.
 103 Bantam Lake Rd.
 Bantam, CT 06790
 TEL: (860) 567-0296
 FAX: (860)-567-0382
 alphamagnetics@yahoo.com
 www.alphamagnetics.net